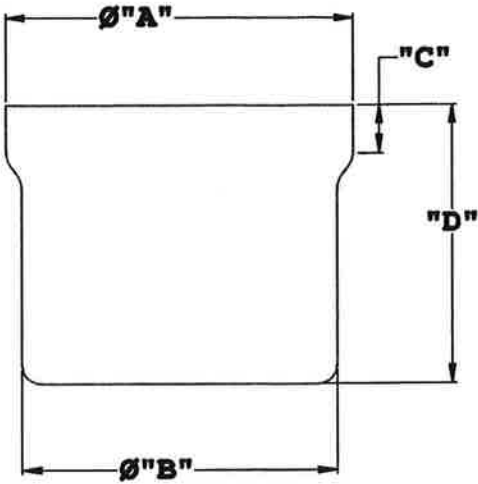


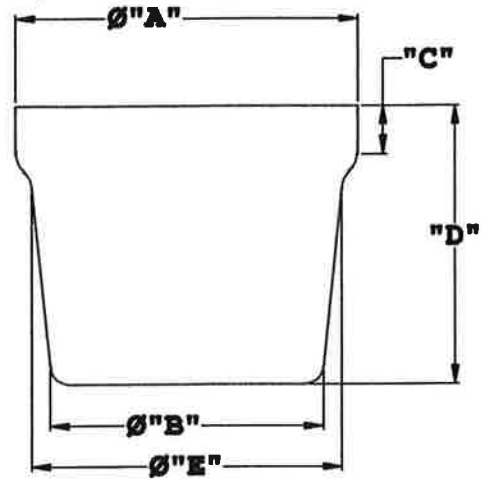
Kryton Engineered Metals, INC.
SPUN STEEL LADLES

COPY

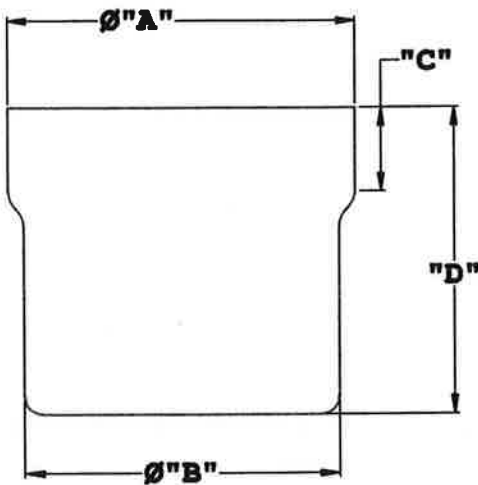
SIZES 5,
5-1/2, 6



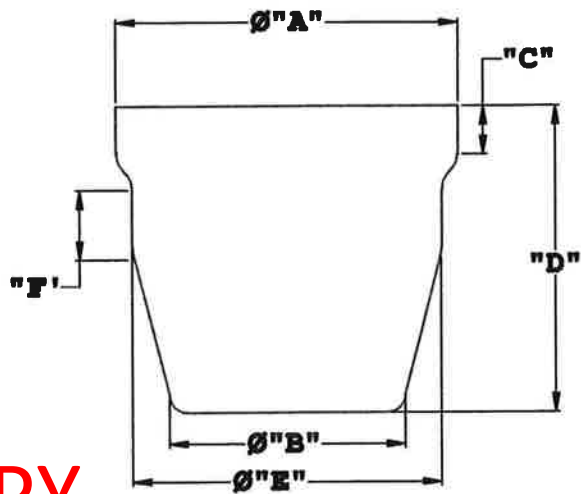
SIZE 6-1/2



SIZE 7



SIZE 7-1/2



COPY

NOTE: ALL LADLES HAVE TWO POURING SPOUTS
MATERIAL: 10 GA STEEL

SPECIFICATIONS

SIZE	"A"	"B"	"C"	"D"	"E"	"F"	APPROX WEIGHT	APPROX WATER CAPACITY	APPROX ALUM. CAPACITY
5	9	8 3/8	1 1/2	5 1/2			4.63#	8.89#	24#
5.5	9	8 3/8	1 1/2	6 1/2			5.50#	10.25#	27.5#
6	9 1/4	8 3/8	1 5/8	7 5/8			6.25#	12.50#	34#
6.5	9	7 1/2	2	8 1/2	8 3/8		6.50#	12.50#	34#
7.0	9 1/4	8 1/4	4 1/4	10	8 1/4		7.75#	21.00#	56#
7.5	10 3/4	8 3/8	2 5/16	9	9 1/4	2 3/8	7.75#	21.00#	56#

Kryton Engineered Metals, INC.
7314 CHANCELLOR DR.
CEDAR FALLS, IOWA